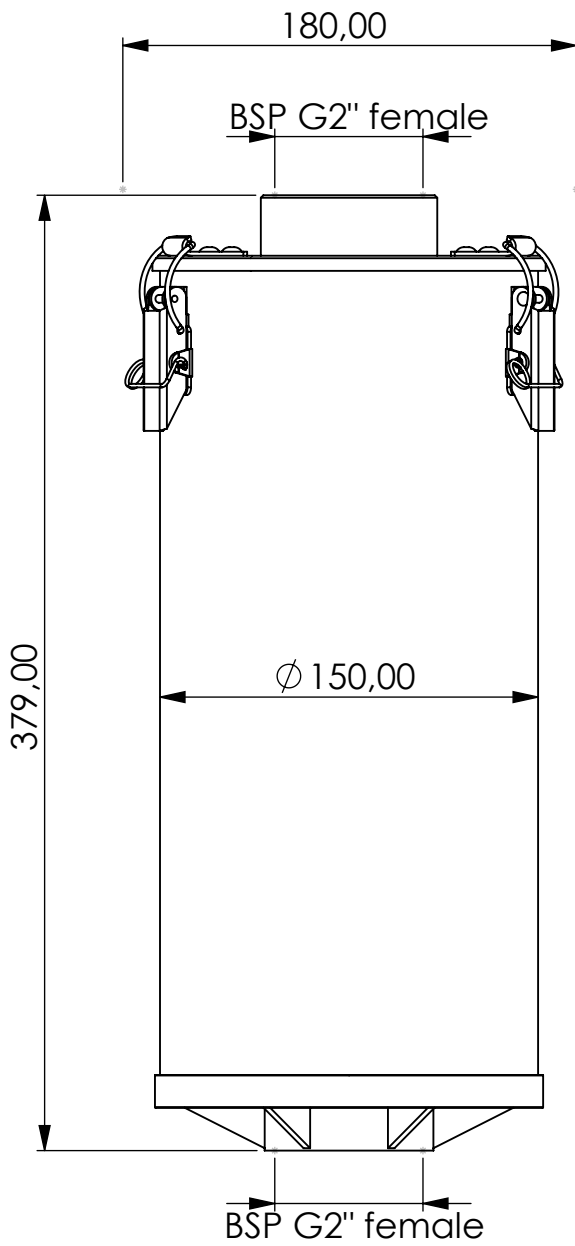


Adsorber VL-R series



Product Code	VL	-	R	-	5L	-	F	-	V2	-	C	-	G2f	-	G2f
	Adsorber type		Refillable cartridge		Size		FKM seals		Fleece filter 2 micron		Adsorbent Carbon		Connection for System BSP G2" female		Connection for System BSP G2" female

Housing materials:	PA6, PC, AL
Carbon (kg):	2.5
Total weight (kg):	4.269
NAME:	Adsorber VL-R 5L C G2"f VL-R_5L_F_V2_C_G2f_G2f
Article no.:	12.0001.21
Status approved	Format A4
Ratio 1:3	Sheet / of 1 / 1

	Date	Name
rev.	18.12.2023	Daniel Zinic
GIEBEL FilTec GmbH		
www.giebel-adsorber.com		
info@gf-dry.com		



GIEBEL Adsorber®
...setting standards in aeration drying!