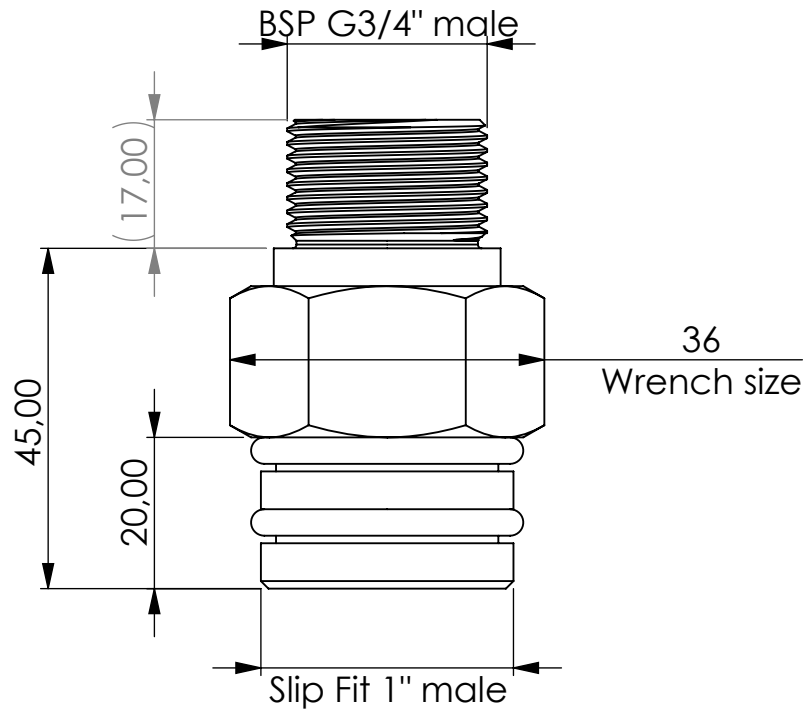
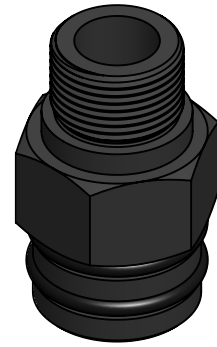


Connection assembly



| Product Code | P-ASM | Connection | PA | F | G34m | S1m |
|--------------|----------|-----------------|--------------|-----------|--|--|
| | Assembly | Type Connection | Material PA6 | FKM seals | Connection for Adsorber BSP G3/4" male | Connection for System Slip Fit 1" male |

Total weight (kg): 0.04

NAME:

Connection assembly
P-ASM_Connection_PA_F_G34m_S1m

Article no.:
03.2206.00

Status approved

Format A4

Ratio 1:2

Sheet / of 1 / 1



GIEBEL Adsorber®
 ...setting standards in aeration drying!

GIEBEL FilTec GmbH
 www.giebel-adsorber.com
 info@gf-dry.com