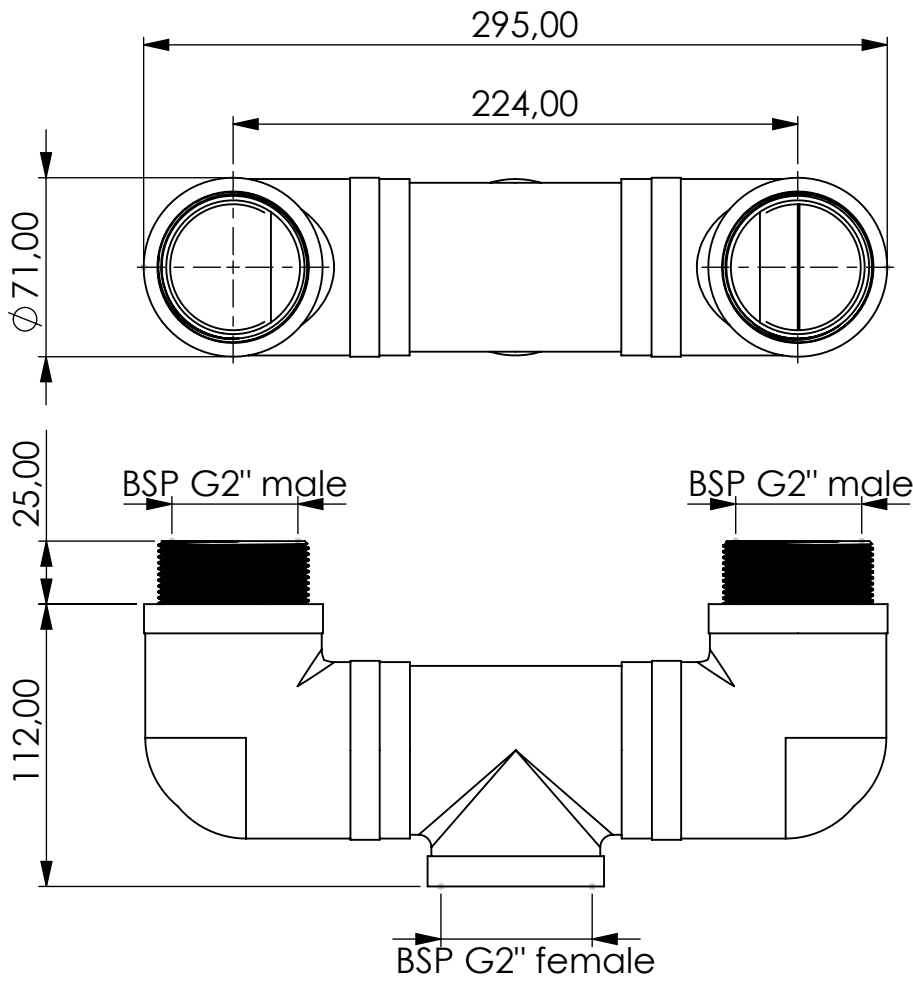
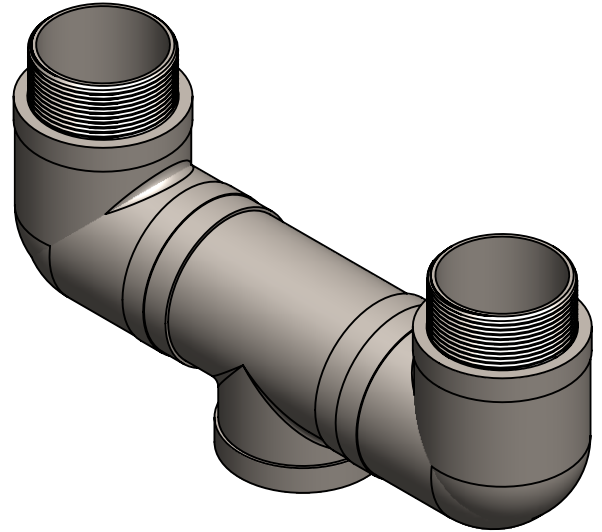


Mounting Adapter



Product Code	MOA	-	2V	-	SS	-	G2m	-	G2f
	Mount Adapter		For double adsorber installation		Material stainless steel		Connection for Adsorber BSP G2\"/>		

Total weight (kg): 1.997

NAME:

Mounting Adapter SS 2-V-G2\"/>

Article no.:
03.0001.08

Status approved

Format A4

Ratio 1:3

Sheet / of 1 / 1



GIEBEL Adsorber®
...setting standards in aeration drying!

GIEBEL FilTec GmbH
www.giebel-adsorber.com
info@gf-dry.com