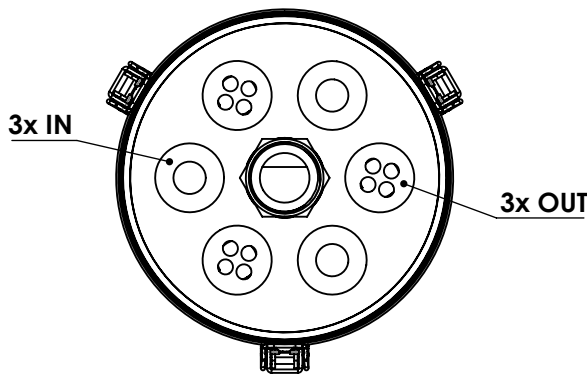
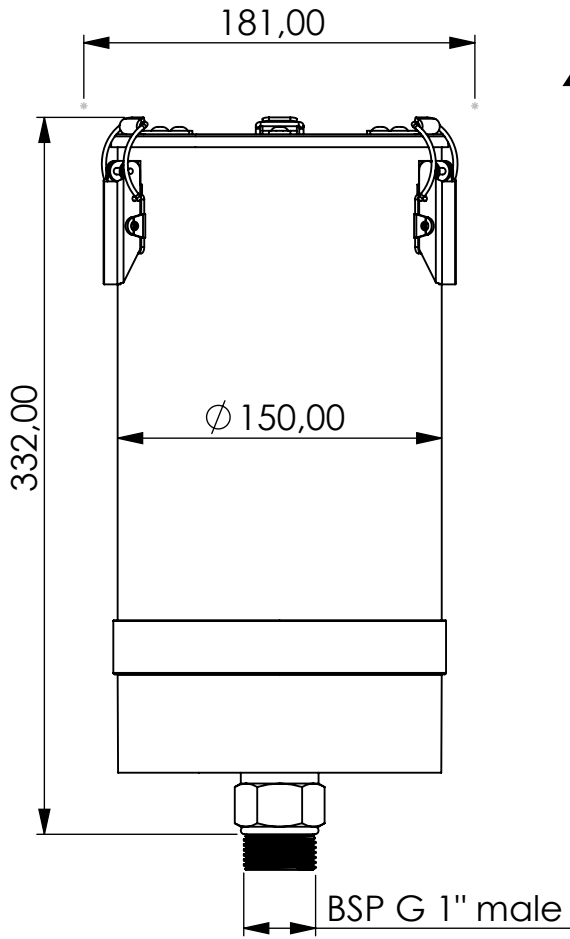


# Adsorber VV-RV series



Product Code	VV	-	RV	-	5M	-	F	-	33	-	P3	-	XC	-	G1m
	Adsorber type		Refillable cartridge + valves		Size		FKM seals		Check valves 3 IN 3 OUT		Paper filter 3 micron		Adsorbent GIEBEL Xdry® & carbon		Connection for System BSP G1" male

Housing materials:	PA6, PC, AL	
GIEBEL Xdry® (kg):	2,0	Color-change capacity (ml): 700
Total weight (kg):	3.89	

NAME:		
<b>Adsorber VV-RV 5M G1"m</b>		
VV-RV_5M_F_33_P3_XC_G1m		

 <b>GIEBEL Adsorber®</b> <small>...setting standards in aeration drying!</small>	rev.	Date	Name
		19.04.2023	Daniel Zinic
GIEBEL FilTec GmbH www.giebel-adsorber.de info@giebel-adsorber.de			

Article no.:	Status	Format
	freigabe	A4
<b>05.0060.42</b>	Maßstab	Blatt / von
	1:3.5	1 / 1