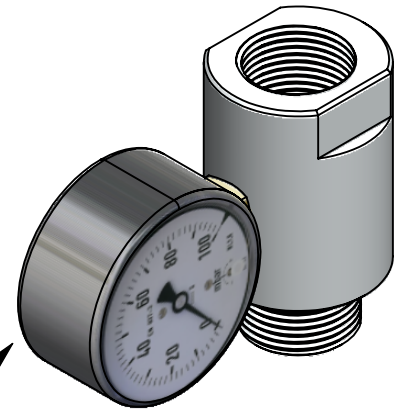
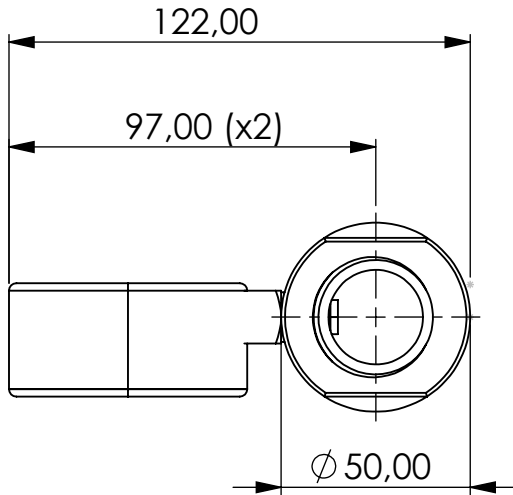
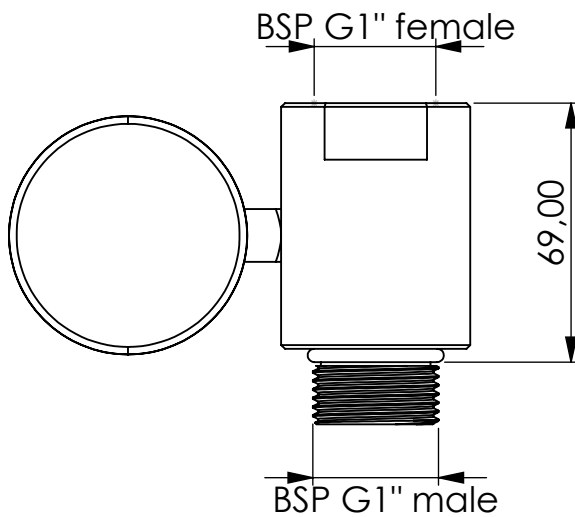


# Protection Adapter



Contamination indicator for cases of blockage (100mbar).  
Optically

- Pressure gauge (up to 100mbar)



Product Code	<b>PRT</b>	-	<b>AD</b>	-	<b>AL</b>	-	<b>F</b>	-	<b>F0,1-ma</b>	-	<b>G1i</b>	-	<b>G1a</b>
	Protection Adapter		Adapter female-male		Material Aluminum		FKM seals		Filterminder 0,1bar manometer		Connection for Adsorber BSP G1" female		Connection for Adsorber BSP G1" male

Total weight (kg): 0.343	
NAME:	
<b>Protection Adapter</b>	
PRT-AD_AL_F_F0,1-ma_G1i_G1a	
Article no.:	Status approved
<b>08.2104.20</b>	Format A4
	Ratio 1:2
	Sheet / of 1 / 1

 <b>GIEBEL Adsorber®</b> <small>...setting standards in aeration drying!</small>	Date	Name
	rev. 27.01.2022	Daniel Zinic
GIEBEL FilTec GmbH www.giebel-adsorber.de info@giebel-adsorber.de		