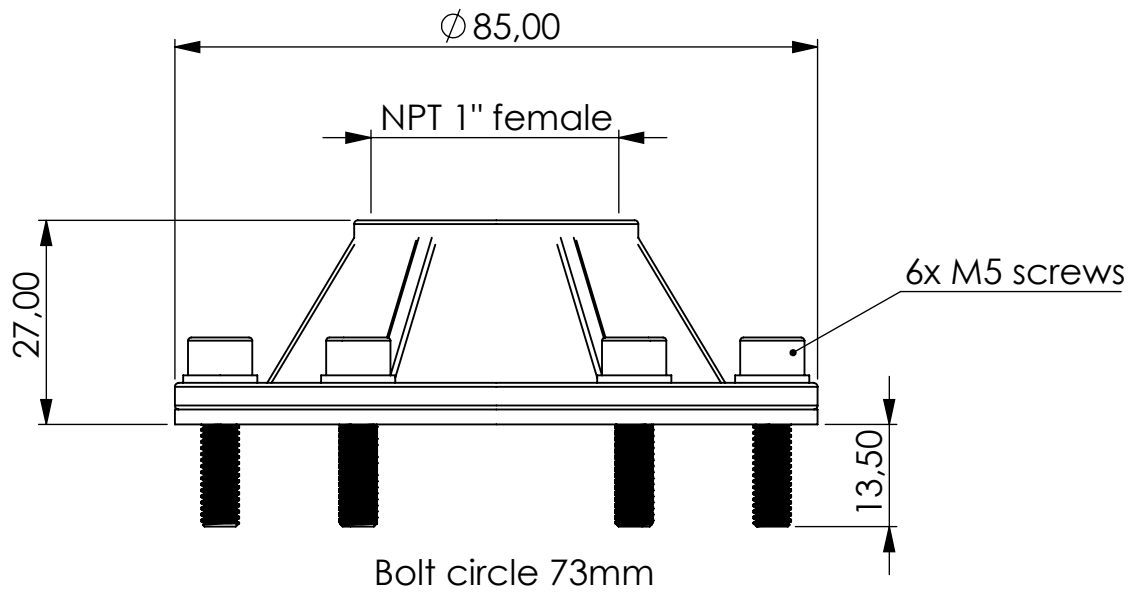
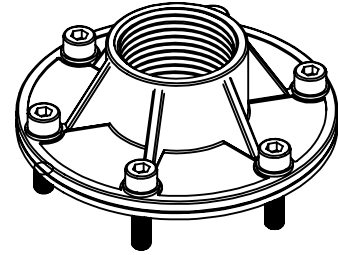


Flange adapter



Product Code	FLA	-	LK73	-	PA	-	N	-	N1i
	Flange adapter		Bolt circle 73mm connection for system		Material PA6 GF30		NBR seals		Connection for Adsorber NPT 1" female

Total weight (kg): 0.06

NAME:

Flange adapter
FLA-LK73_PA_N_N1i

Article no.:
07.2134.02

Status approved

Format A4

Ratio 1:2

Sheet / of 1 / 1

	Date	Name
rev.	04.02.2022	Daniel Zinic

GIEBEL FilTec GmbH
www.giebel-adsorber.de
info@giebel-adsorber.de



GIEBEL Adsorber®
...setting standards in aeration drying!