

1

2

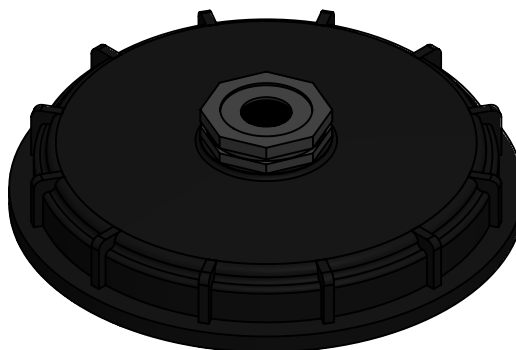
3

4

A

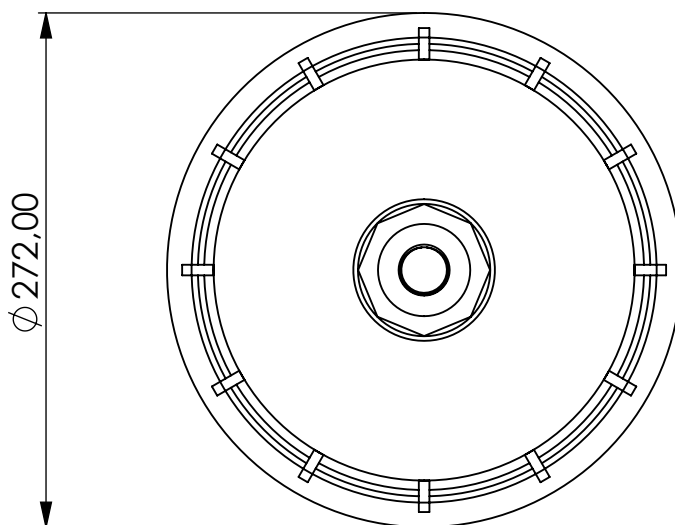
A

IBC Cover



B

B

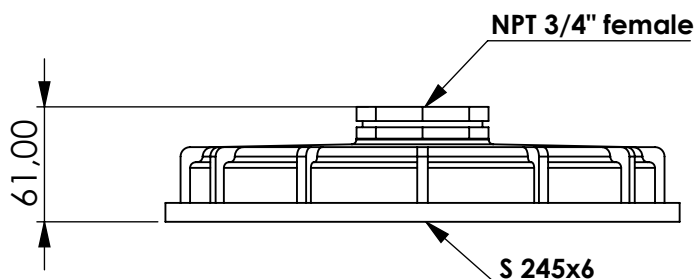


C

C

D

D



E

E

Product Code	IBCD	-	225	-	PE	-	E	-	N34f
	IBC Cover		Size 225mm / S 245x6		Polyethylene		EPDM seal		Connection for Adsorber NPT 3/4" female

F

F



GIEBEL Adsorber®
 ...setting standards in aeration drying!

	Date	Name
rev.	11.07.2024	Daniel Zinic

GIEBEL FilTec GmbH
 www.giebel-adsorber.com
 info.us@gf-dry.com

Total weight (kg): 0.81

NAME:

IBC Cover
 IBCD_225_PE_E_N34f

Article no.:
33.0542.10

Status approved

Format A4

Ratio 1:4

Sheet / of 1 / 1

1

2

3

4