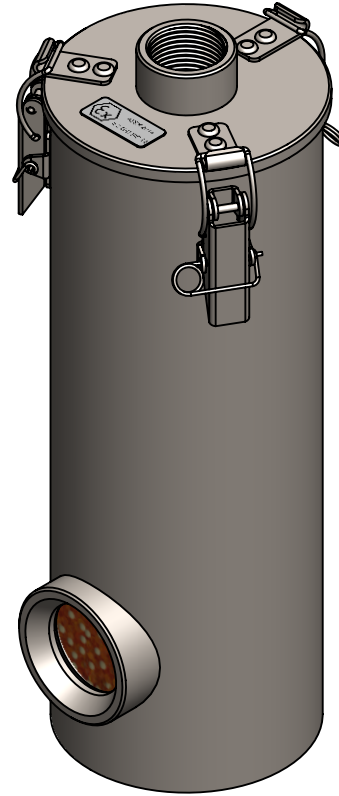
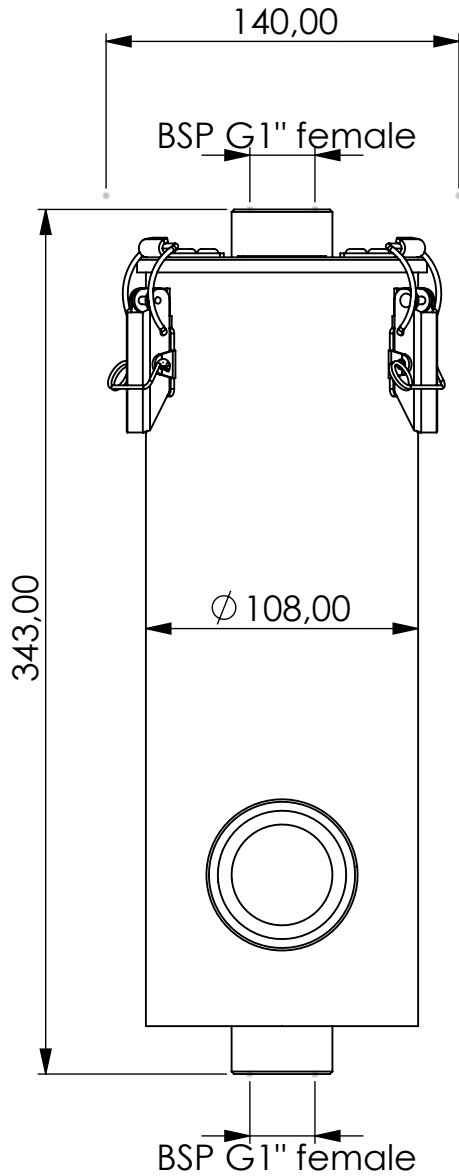


Adsorber VE-R series



Product Code	VE	-	R	-	3L	-	F	-	V2	-	X	-	G1f	-	G1f
	Adsorber type		Refillable cartridge		Size		FKM seals		Fleece filter 2 micron		Adsorbent GIEBEL Xdry®		Connection for System BSP G1" female		Connection for System BSP G1" female

Housing materials:	Stainless steel 316L	
GIEBEL Xdry® (kg):	1.9	Color-change capacity (ml): 665
Total weight (kg):	4.8	

NAME:		
Adsorber VE-R 3L G1" f		
VE-R_3L_F_V2_X_G1f_G1f		
Article no.:	Status approved	Format A4
12.0001.40	Ratio 1:3	Sheet / of 1 / 1

	Date	Name
rev.	06.11.2024	Daniel Zinic
GIEBEL FilTec GmbH		
www.giebel-adsorber.com		
info@gf-dry.com		



GIEBEL Adsorber®
...setting standards in aeration drying!