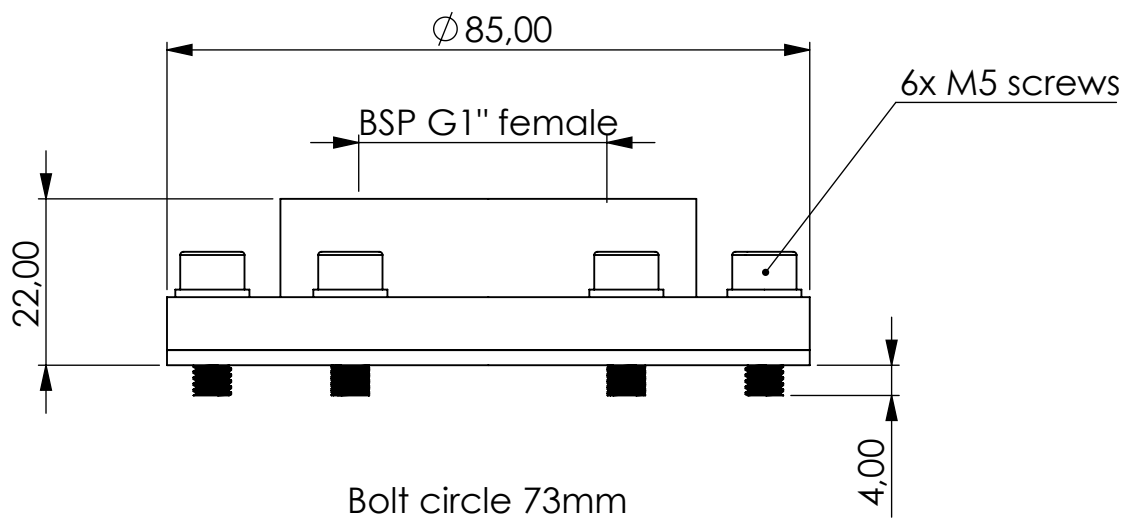
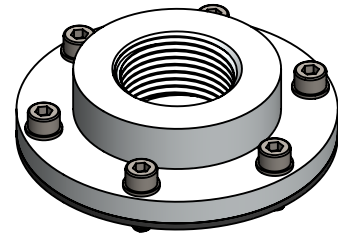


# Flange adapter



Product Code	<b>FLA</b>	-	<b>LK73</b>	-	<b>AL</b>	-	<b>E</b>	-	<b>G1f</b>
	Flange adapter		Bolt circle 73mm connection for system		Material Aluminium		EPDM seals		Connection for Adsorber BSP G1" female

Total weight (kg): 0.177

NAME:

**Flange adapter**  
FLA-LK73\_AL\_E\_G1f

Article no.:  
**08.2134.00**

Status approved

Format A4

Ratio 1:2

Sheet / of 1 / 1

	Date	Name
rev.	25.10.2023	Daniel Zinic

GIEBEL FilTec GmbH  
www.giebel-adsorber.com  
info@gf-dry.com



**GIEBEL Adsorber®**  
...setting standards in aeration drying!