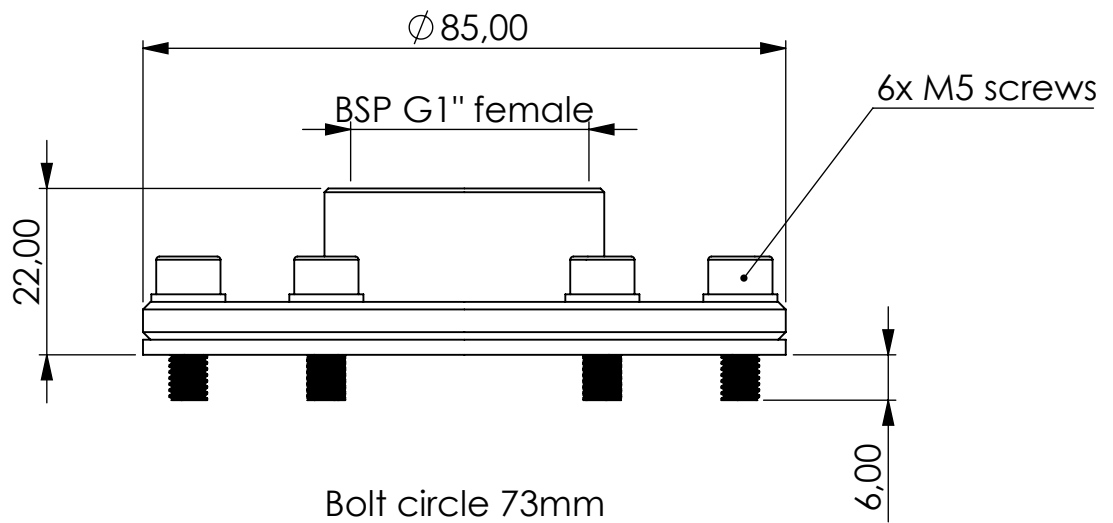
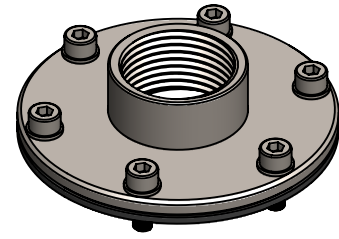


# Flange adapter



|              |                |   |  |   |                          |   |           |   |  |
|--------------|----------------|---|--|---|--------------------------|---|-----------|---|--|
| Product Code | <b>FLA</b>     | - | <b>LK73</b>                            | - | <b>SS</b>                | - | <b>F</b>  | - | <b>G1f</b>                             |
|              | Flange adapter |   | Bolt circle 73mm connection for system |   | Material Stainless steel |   | FKM seals |   | Connection for Adsorber BSP G1" female |

Total weight (kg): 0.256

NAME:

**Flange adapter**  
**FLA-LK73\_SS\_F\_G1f**

Article no.:  
**08.2123.00**

Status approved

Format A4

Ratio 1:2

Sheet / of 1 / 1

|      |            |              |
|------|------------|--------------|
|      | Date       | Name         |
| rev. | 25.10.2023 | Daniel Zinic |



**GIEBEL Adsorber®**  
 ...setting standards in aeration drying!

GIEBEL FilTec GmbH  
 www.giebel-adsorber.com  
 info@gf-dry.com