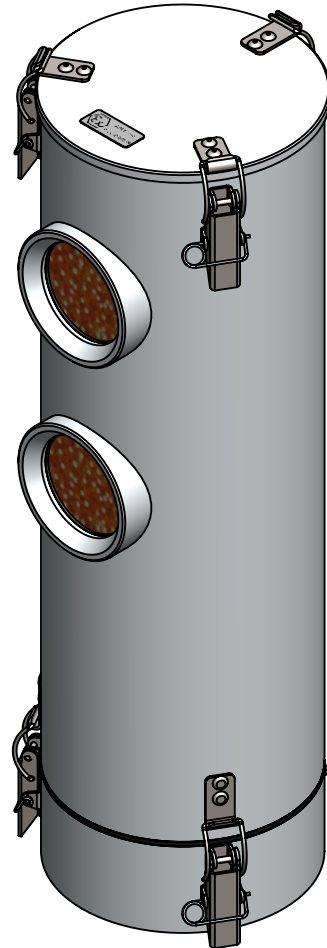
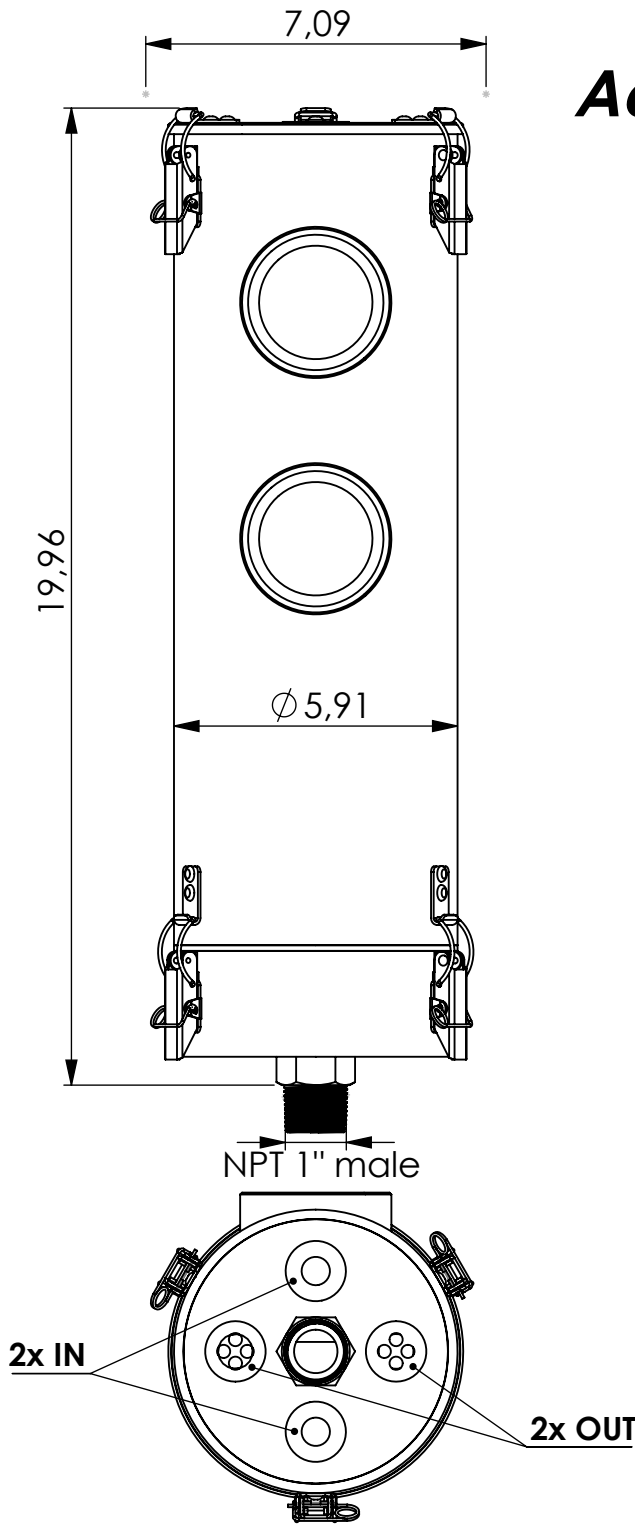


Adsorber MA-RV series



Distribution and reproduction of this document, utilization and communication of its contents are prohibited unless expressly permitted. Infringements will result in compensation for damages. All rights reserved in the event of patent, utility model or design registration.

Product Code	MA	-	RV	-	5XL	-	F	-	22	-	P3	-	XC	-	N1m
	Adsorber type		Refillable cartridge + valves		Size		FKM seals		Check valves 2 IN 2 OUT		Paper filter 3 micron		Adsorbent GIEBEL Xdry® & carbon		Connection for System NPT 1" male

Housing materials:	Aluminum		
GIEBEL Xdry® (lb):	10.2	Color-change capacity (fl oz):	54.4
Total weight (lb):	18.28		

NAME:
Adsorber MA-RV 5XL N1"m
MA-RV_5XL_F_22_P3_XC_N1m

 GIEBEL Adsorber® <small>...setting standards in aeration drying!</small>	Date	Name
	rev. 23.07.2024	Daniel Zinic
GIEBEL FilTec Inc. www.giebel-adsorber.com info.us@gf-dry.com		

Article no.:	Status approved	Format A4
08.0004.03	Scale	Sheet / of
	1:4	1 / 1