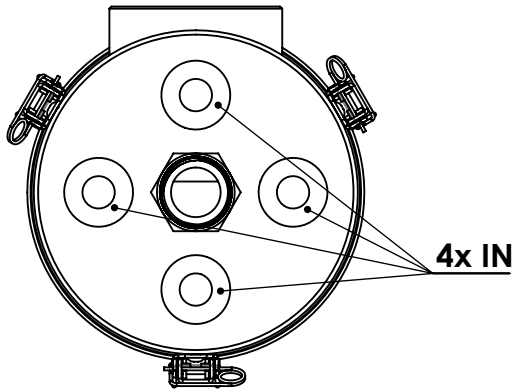
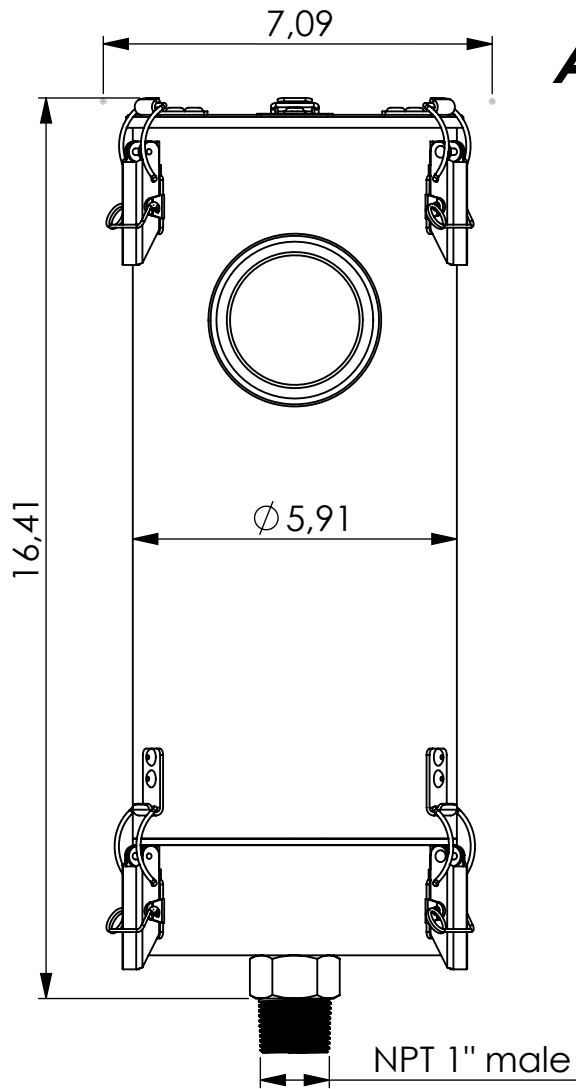


Adsorber ME-RV series



Product Code	ME	-	RV	-	5L	-	F	-	40	-	P3	-	XC	-	N1m
	Adsorber type		Refillable cartridge + valves		Size		FKM seals		Check valves 4 IN 0 OUT		Paper filter 3 micron		Adsorbent GIEBEL Xdry® & carbon		Connection for System NPT 1" male

Housing materials:	Stainless steel 316L	
GIEBEL Xdry® (lb):	7.5	Color-change capacity (floz): 40.2
Total weight (lb):	23.6	

NAME:	Adsorber ME-RV 5L IN N1"m	
	ME-RV_5L_F_40_P3_XC_N1m	

 GIEBEL Adsorber® <small>...setting standards in aeration drying!</small>	rev.	Date	Name
		11.09.2024	Daniel Zinic
GIEBEL FilTec Inc. www.giebel-adsorber.com info.us@gf-dry.com			

Article no.:	Status freigabe	Format
08.0003.43	Maßstab	Blatt / von
	1:3.5	1 / 1