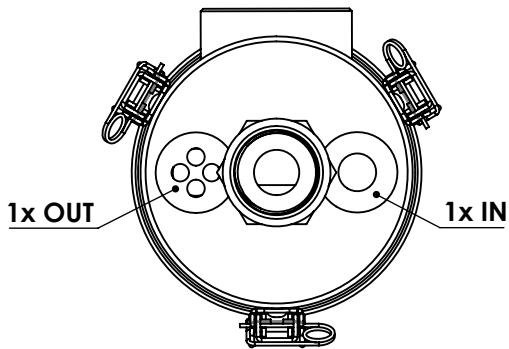
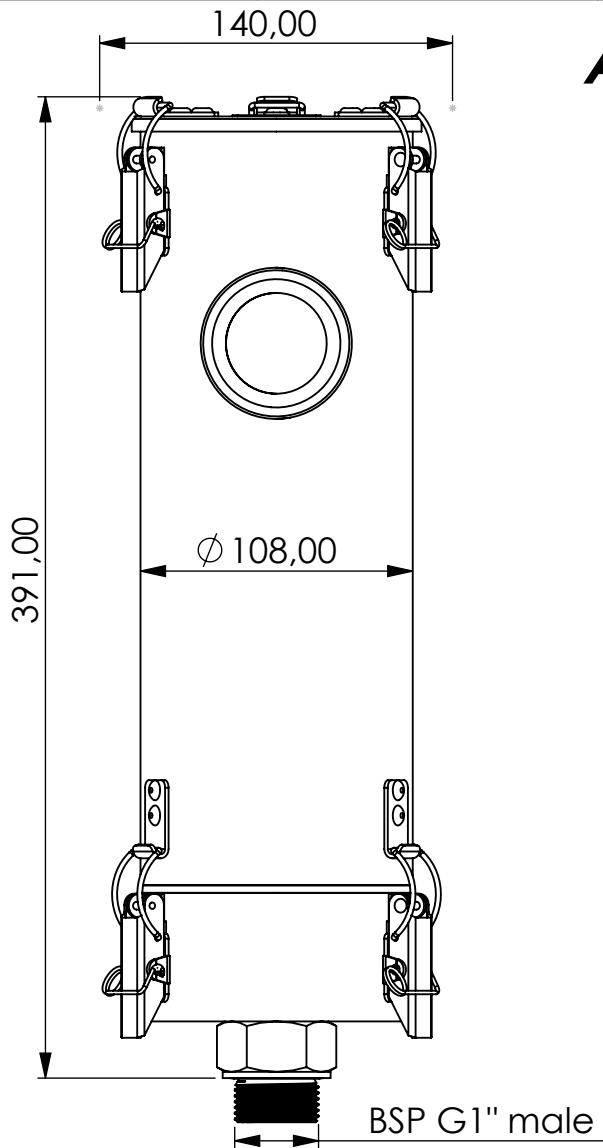


# Adsorber ME-RV series



Product Code	<b>ME</b>	-	<b>RV</b>	-	<b>3L</b>	-	<b>E</b>	-	<b>11</b>	-	<b>P3</b>	-	<b>XC</b>	-	<b>G1m</b>
Adsorber type	Refillable cartridge + valves		Size	EPDM seals	Check valves 1 IN 1 OUT	Paper filter 3 micron	Adsorbent GIEBEL Xdry® & carbon	Connection for System BSP G1" male							

Housing materials: Stainless steel 316L

GIEBEL Xdry® (kg): 1,4      Color-change capacity (ml): 490

Total weight (kg): 6.0

NAME:  
**Adsorber ME-RV 3L EPDM G1"m**  
**ME-RV\_3L\_E\_11\_P3\_XC\_G1m**



**GIEBEL Adsorber®**  
 ...setting standards in aeration drying!

GIEBEL FilTec GmbH  
 www.giebel-adsorber.com  
 info@gf-dry.com

Article no.:  
**07.0001.80**

Status freigabe	Format A4
Maßstab 1:3	Blatt / von 1 / 1