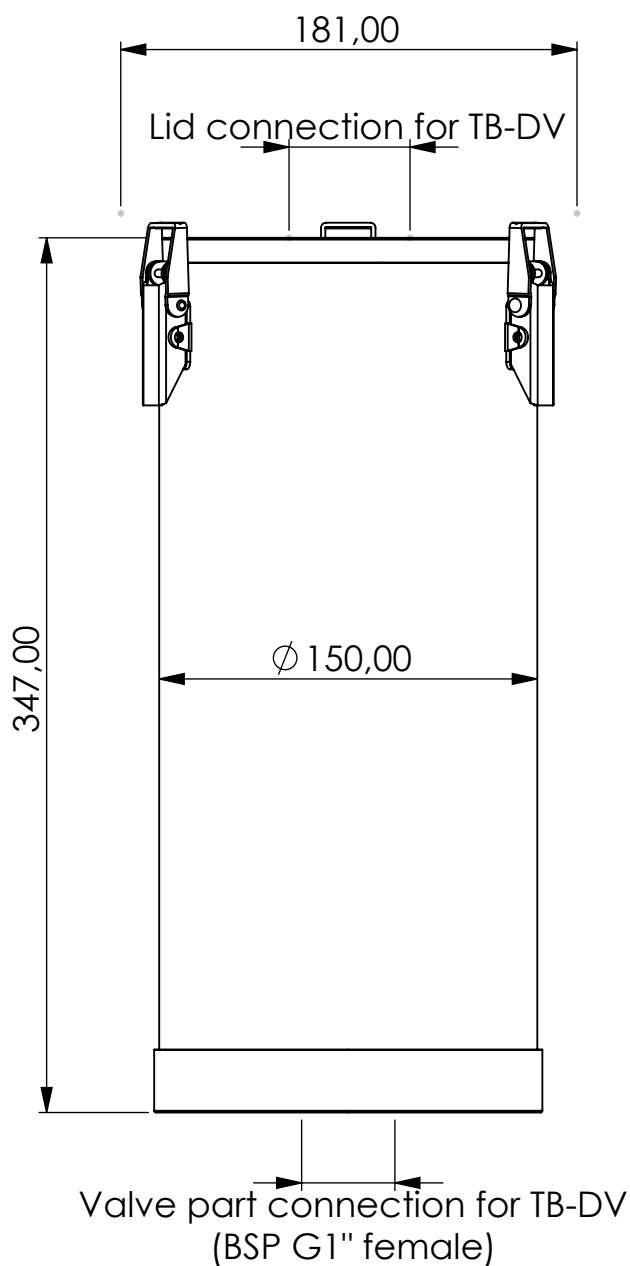


# Spare Parts Kit TB-D



Product Code	<b>TB</b>	-	<b>D</b>	-	<b>5L</b>	-	<b>F</b>	-	<b>00</b>	-	<b>V2</b>	-	<b>XC</b>	-	<b>G1f</b>
	Adsorber type		Disposable cartridge		Size		FKM seals		No Check valves		Filter fleece 2 micron		Adsorbent GIEBEL Xdry® & carbon		Connection for Valve part TB-DV

Housing materials:	PA6, PC
GIEBEL Xdry® (kg):	3,4
Color-change capacity (ml):	1190
Total weight (kg):	5.0

NAME:	
<b>Spare Parts Kit TB-D 5L</b>	
TB-D_5L_F_00_V2_XC_G1f	
Article no.:	Status
<b>06.0020.50</b>	freigabe
	Format
	A4
	Maßstab
	Blatt / von
	1 / 1

	Date	Name
rev.	04.05.2023	Daniel Zinic
 <b>GIEBEL Adsorber®</b> ...setting standards in aeration drying!		
GIEBEL FilTec GmbH <a href="http://www.giebel-adsorber.de">www.giebel-adsorber.de</a> <a href="mailto:info@giebel-adsorber.de">info@giebel-adsorber.de</a>		