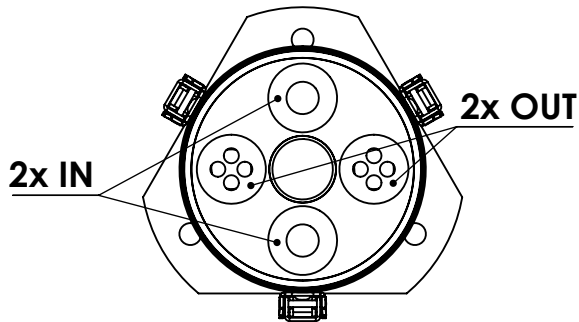
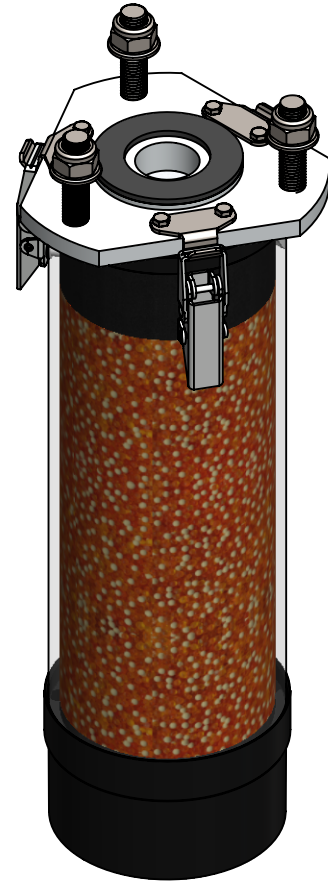
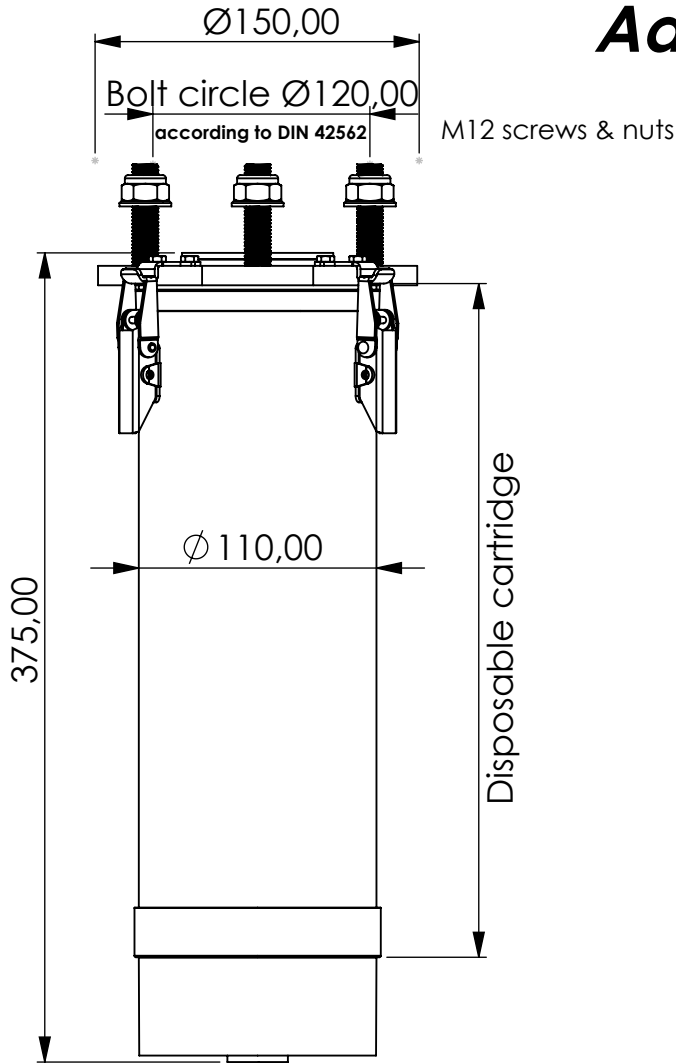


# Adsorber TB-DV series



Product Code	<b>TB</b>	-	<b>DV</b>	-	<b>3L</b>	-	<b>F</b>	-	<b>22</b>	-	<b>V2</b>	-	<b>XC</b>	-	<b>DIN42562</b>
	Adsorber type		Disposable cartridge + valves		Size		FKM seals		Check valves 2 IN 2 OUT		Filter fleece 2 micron		Adsorbent GIEBEL Xdry® & carbon		Connection for System DIN42562 flange

Housing materials:	PA6, PC, AL	
GIEBEL Xdry® (kg):	1.5	Color-change capacity (ml): 525
Total weight (kg):	3.34	

NAME:  
**Adsorber TB-DV 3L DIN42562**  
 TB-DV\_3L\_F\_22\_V2\_XC\_DIN42562

 <b>GIEBEL Adsorber®</b> <small>...setting standards in aeration drying!</small>	rev.	Date	Name
		05.05.2023	Daniel Zinic
GIEBEL FilTec GmbH <a href="http://www.giebel-adsorber.de">www.giebel-adsorber.de</a> <a href="mailto:info@giebel-adsorber.de">info@giebel-adsorber.de</a>			

Article no.:	<b>06.0010.30</b>	
	Status freigabe	Format A4
	Maßstab 1:3.5	Blatt / von 1 / 1