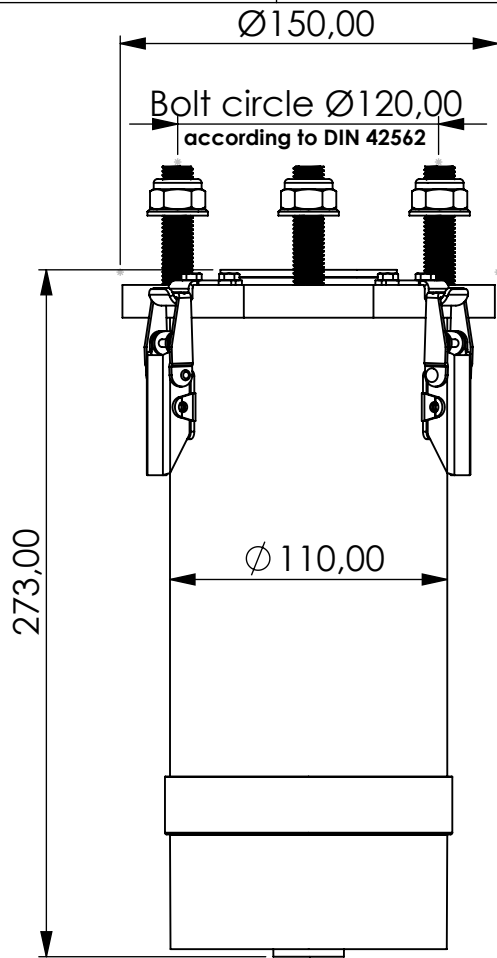
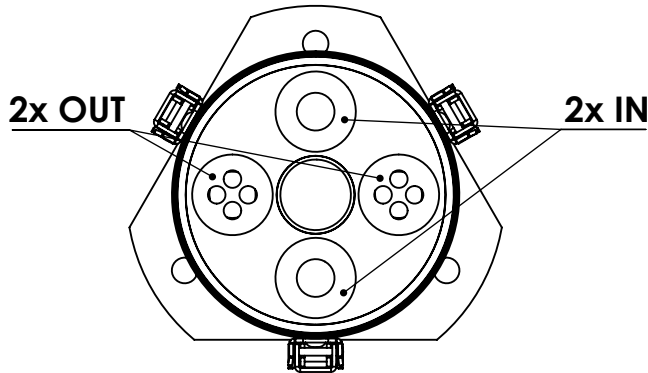


# Adsorber TB-RV series



M12 screws & nuts



Product Code	<b>TB</b>	-	<b>RV</b>	-	<b>3M</b>	-	<b>F</b>	-	<b>22</b>	-	<b>V2</b>	-	<b>XC</b>	-	<b>DIN42562</b>
	Adsorber type		Refillable cartridge + valves		Size		FKM seals		Check valves 2 IN 2 OUT		Filter fleece 2 micron		Adsorbent GIEBEL Xdry® & carbon		Connection for System DIN42562 flange

Housing materials:	PA6, PC, AL	
GIEBEL Xdry® (kg):	1,0	Color-change capacity (ml): 350
Total weight (kg):	2.7	

NAME:  
**Adsorber TB-RV 3M DIN42562**  
**TB-RV\_3M\_F\_22\_V2\_XC\_DIN42562**

 <b>GIEBEL Adsorber®</b> ...setting standards in aeration drying!	rev.	Date	Name
		25.04.2023	Daniel Zinic
GIEBEL FilTec GmbH www.giebel-adsorber.de info@giebel-adsorber.de			

Article no.:	Status	Format
	freigabe	A4
<b>06.0005.21</b>	Maßstab	Blatt / von
	1:3	1 / 1