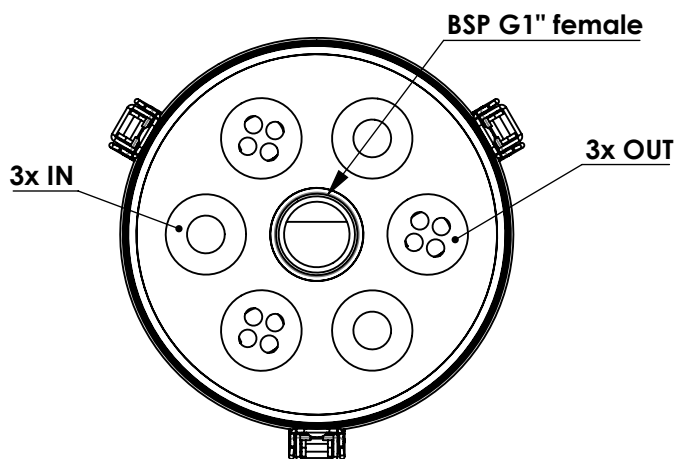
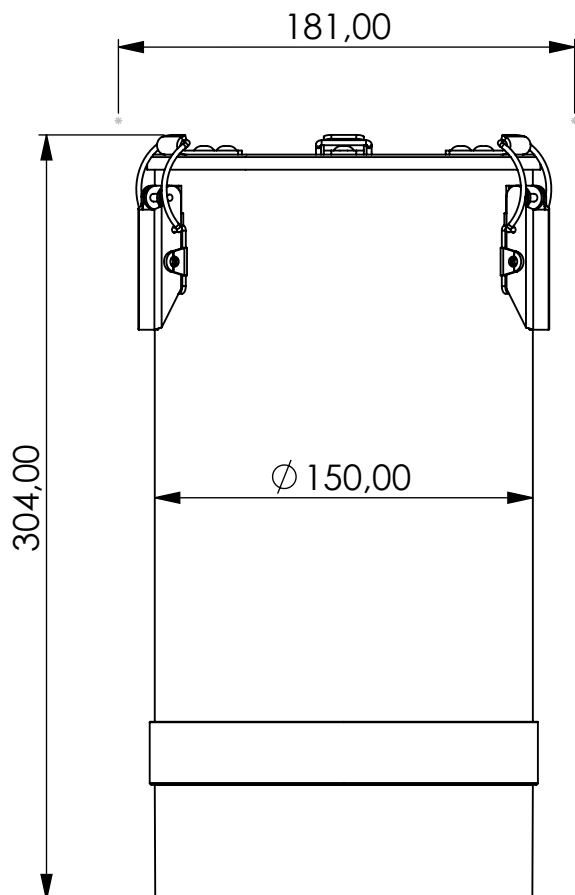


# Adsorber VV-RV series



Product Code	<b>VV</b>	-	<b>RV</b>	-	<b>5M</b>	-	<b>F</b>	-	<b>33</b>	-	<b>P3</b>	-	<b>XC</b>	-	<b>G1f</b>
	Adsorber type		Refillable cartridge + valves		Size		FKM seals		Check valves 3 IN 3 OUT		Paper filter 3 micron		Adsorbent GIEBEL Xdry® & carbon		Connection for System BSP G1" female

Housing materials:	PA6, PC, AL	
GIEBEL Xdry® (kg):	2,0	Color-change capacity (ml): 700
Total weight (kg):	3.80	

NAME:  
**Adsorber VV-RV 5M G1" f**  
**VV-RV\_5M\_F\_33\_P3\_XC\_G1f**



GIEBEL FilTec GmbH  
[www.giebel-adsorber.de](http://www.giebel-adsorber.de)  
[info@giebel-adsorber.de](mailto:info@giebel-adsorber.de)

Article no.:	Status freigabe	Format A4
<b>05.0060.43</b>	Maßstab	Blatt / von
	1:3	1 / 1