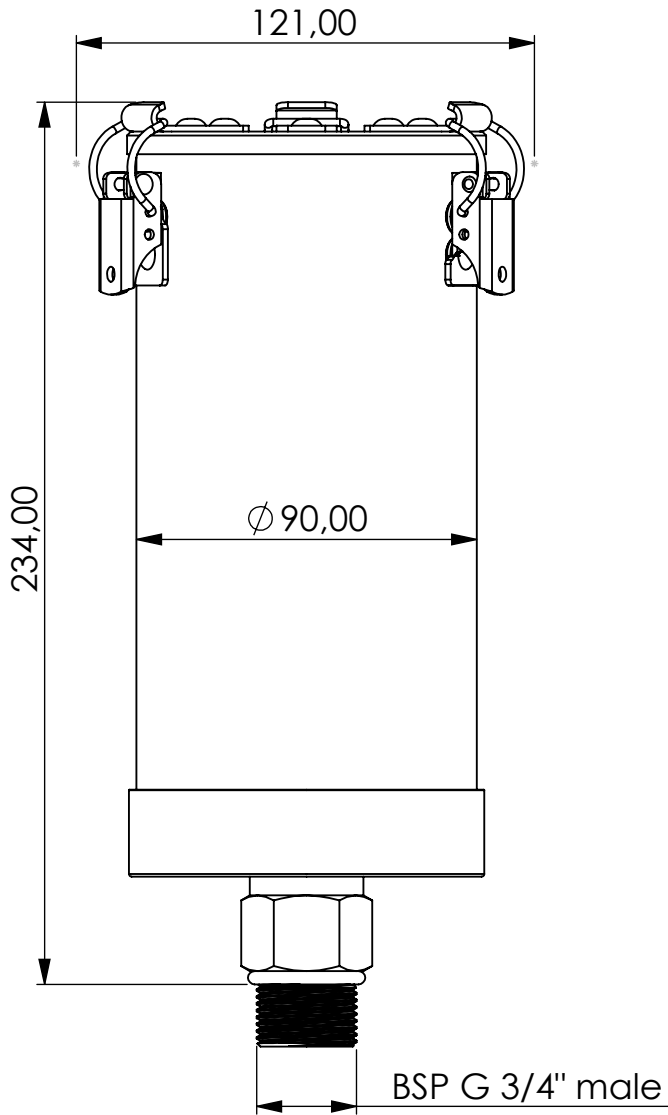


Adsorber VG-R series



Product Code	VG	-	2L	-	R	-	F	-	00	-	P3	-	A	-	G34a
	Adsorber type		Size		Refillable cartridge		FKM seals		No valves 0 IN 0 OUT		Paper filter 3 micron		Adsorbent active carbon		Connection for System BSP G3/4" male

Housing materials: PA6, PC, AL

Active carbon (kg): 0,3

Total weight (kg): 1.02

NAME:

Adsorber VG-R 2L G3/4"m
VG-R_2L_F_00_P3_A_G34a

Article no.:
05.0040.24

Status
freigabe

Format
A4

Maßstab

Blatt / von

1:2

1 / 1

	Date	Name
rev.	09.04.2020	Daniel Zinic

GIEBEL FilTec GmbH
www.giebel-adsorber.de
info@giebel-adsorber.de



GIEBEL Adsorber®
...setting standards in aeration drying!