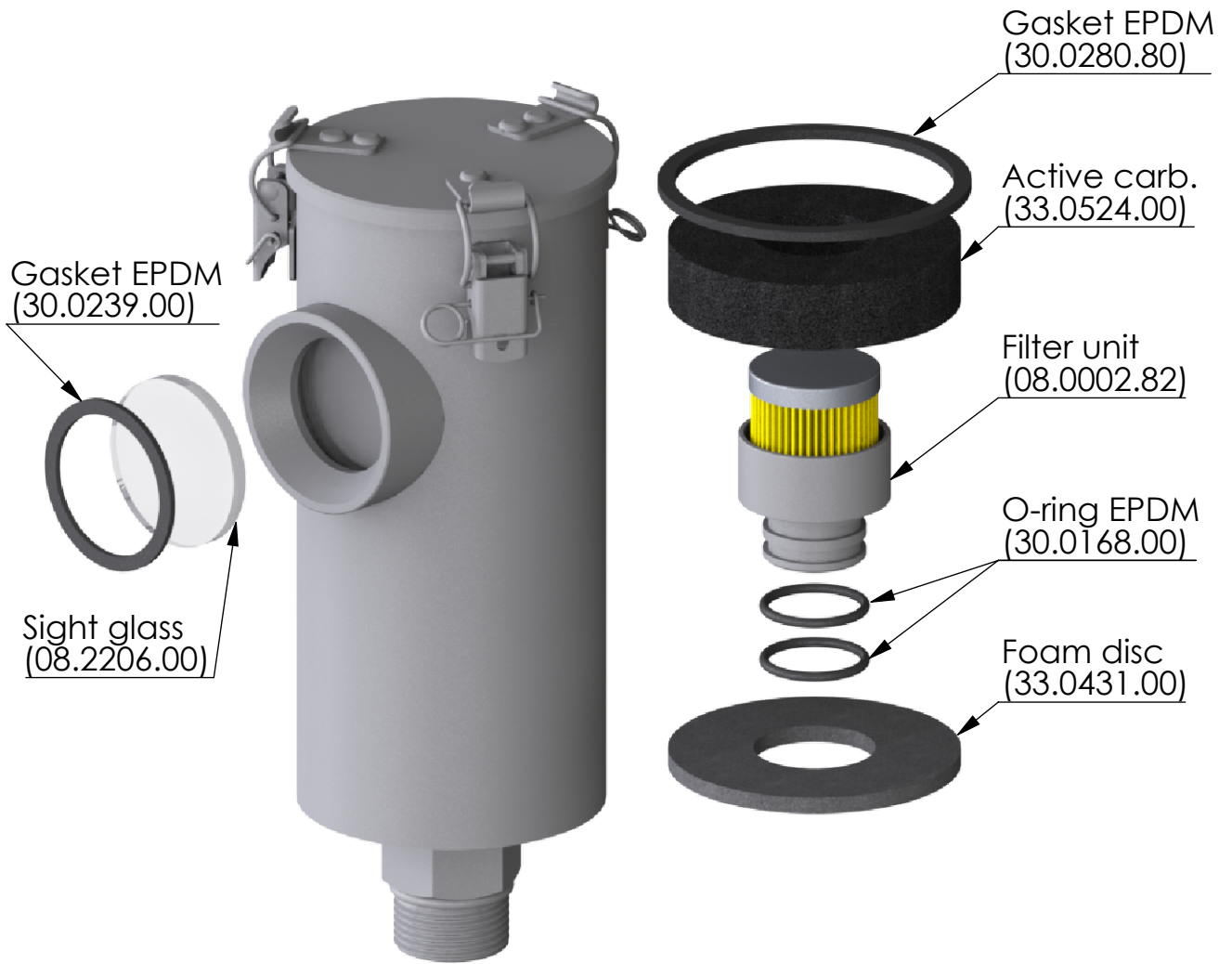


# SPARE PARTS KIT ET ME-R 2 - EPDM



GIEBEL Xdry needed per Adsorber:  
- Adsorber ME-RV 2L: 0,55 KG



GIEBEL Xdry sold separately  
(please visit our shop at [giebel-adsorber.com/shop](http://giebel-adsorber.com/shop))



				Date	Name	Weight (kg): 0.2
				Created 30.11.2021	daniel.zinic	Naming: <b>Spare Parts Kit - EPDM</b> <b>ET_ME-R_2_E_P3_C</b>
				Released 17.10.2023	daniel.zinic	
				GIEBEL FilTec GmbH www.giebel-adsorber.com info@gf-dry.com		Article number: <b>05.0040.38</b>
						Status approved
Rev	Changes	Date	Name	Observe protection note ISO 16016		Scale
						Sheet / of 1 / 1