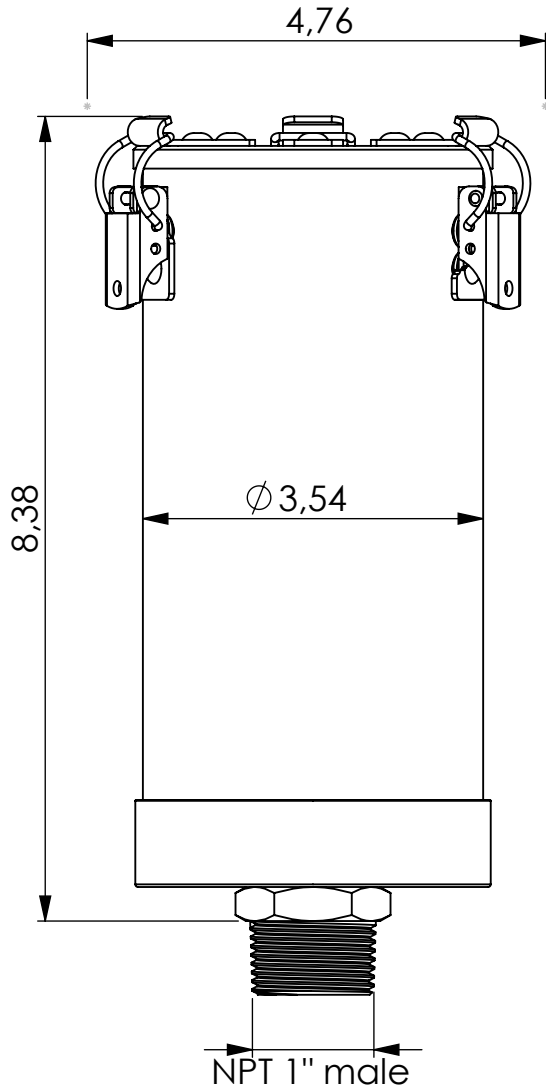


Adsorber VG-R series



Product Code	VG	-	2L	-	R	-	F	-	00	-	P3	-	C	-	N1m
	Adsorber type		Size		Refillable cartridge		FKM seals		No valves 0 IN 0 OUT		Paper filter 3 micron		Adsorbent active carbon		Connection for System NPT 1" male

Housing materials: PA6, PC, AL, SS

Active carbon (lb): 0.66

Total weight (lb): 2.38

NAME:

Adsorber VG-R 2L N1"m
VG-R_2L_F_00_P3_C_N1m

Article no.:
05.0040.25

Status
release

Format
A4

Scale
1:2

Sheet / of
1 / 1

	Date	Name
rev.	12.08.2024	Daniel Zinic



GIEBEL Adsorber®
...setting standards in aeration drying!

GIEBEL FilTec Inc.
www.giebel-adsorber.com
info.us@gf-dry.com