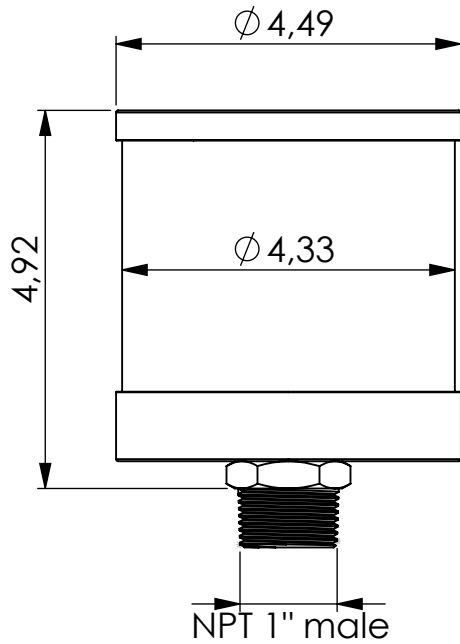


Adsorber VV-D series



Product Code	VV	-	D	-	3S	-	F	-	00	-	P3	-	XC	-	N1m
	Adsorber type		Disposable cartridge		Size		FKM seals		No valves 0 IN 0 OUT		Paper filter 3 micron		Adsorbent GIEBEL Xdry®		Connection for System NPT 1" male

Housing materials: PA, PC, SS	
GIEBEL Xdry® (lb): 1.1	Color-change capacity (fl oz): 5.9
Total weight (lb): 1.90	
NAME:	
Adsorber VV-D 3S N1"m	
VV-D_3S_F_00_P3_XC_N1m	
Article no.:	Status approved
05.0031.34	Format A4
	Scale 1:2.5
	Sheet / of 1 / 1

	Date	Name
rev.	21.08.2024	Daniel Zinic
 GIEBEL Adsorber® ...setting standards in aeration drying!		
GIEBEL FilTec Inc. www.giebel-adsorber.com info.us@gf-dry.com		

Distribution and reproduction of this document, utilization and communication of its contents are prohibited unless expressly permitted. Infringements will result in compensation for damages. All rights reserved in the event of patent, utility model or design registration.