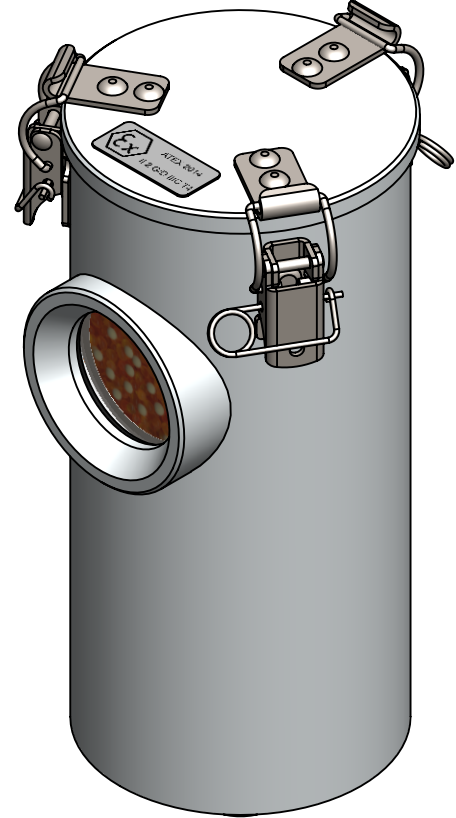
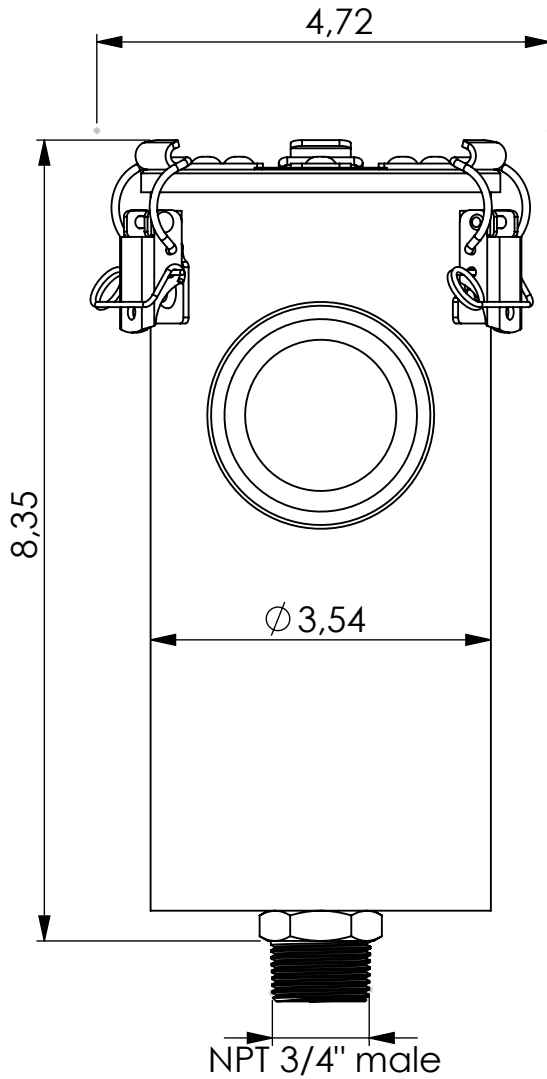


# Adsorber MA-R series



Product Code	<b>MA</b>	-	<b>R</b>	-	<b>2L</b>	-	<b>F</b>	-	<b>00</b>	-	<b>P3</b>	-	<b>XC</b>	-	<b>N34m</b>
	Adsorber type		Refillable cartridge		Size		FKM seals		No valves		Paper filter 3 micron		Adsorbent GIEBEL Xdry® & carbon		Connection for System NPT 3/4" male

Housing materials: Aluminum	
GIEBEL Xdry® (lb): 1.21	Color-change capacity (floz): 6.5
Total weight (lb): 3.65	
NAME:	
<b>Adsorber MA-RV 2L N3/4"m</b>	
<b>MA-RV_2L_F_00_P3_XC_N34m</b>	
Article no.:	Status
<b>05.0030.56</b>	freigabe
	Format
	A4
	Blatt / von
	1 / 1

	Date	Name
rev.	16.09.2024	Daniel Zinic

GIEBEL FilTec Inc.  
[www.giebel-adsorber.com](http://www.giebel-adsorber.com)  
[info.us@gf-dry.com](mailto:info.us@gf-dry.com)



**GIEBEL Adsorber®**  
 ...setting standards in aeration drying!