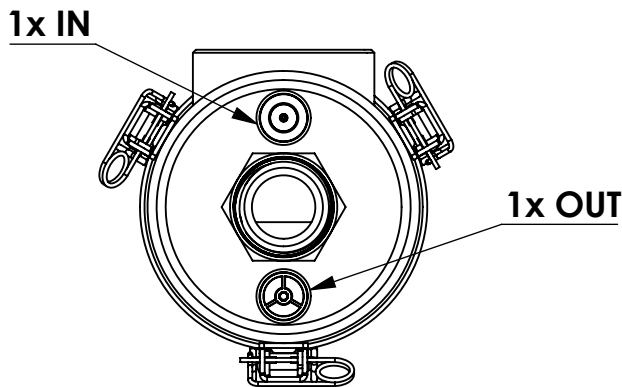
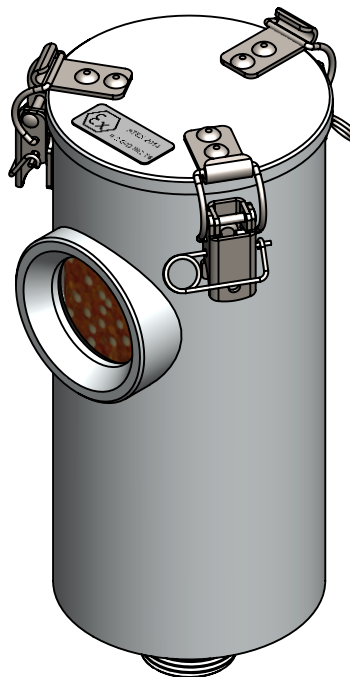
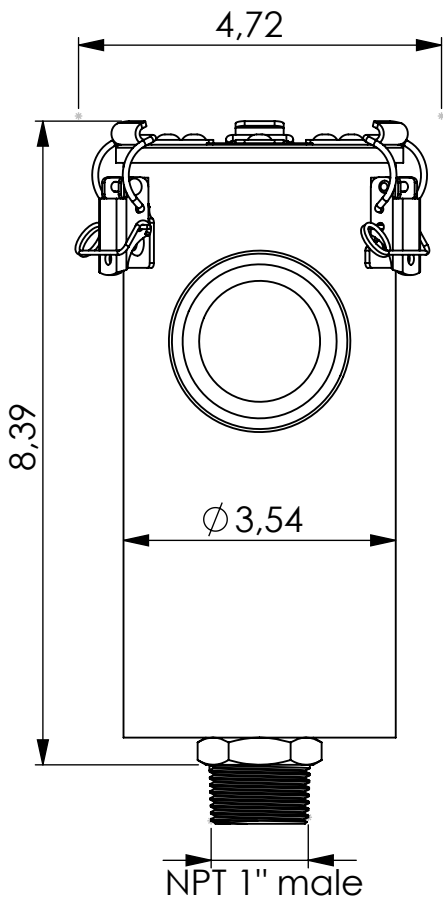


Adsorber MA-RV series



Product Code	MA	-	RV	-	2L	-	F	-	11	-	P3	-	XC	-	N1m
	Adsorber type		Refillable cartridge + valves		Size		FKM seals		Check valves 1 IN 1 OUT		Paper filter 3 micron		Adsorbent GIEBEL Xdry® & carbon		Connection for System NPT 1" male

Housing materials:	Aluminum	
GIEBEL Xdry® (lb):	1.21	Color-change capacity (floz): 6.5
Total weight (lb):	3.77	

NAME:	Adsorber MA-RV 2L N1"m	
	MA-RV_2L_F_11_P3_XC_N1m	

 GIEBEL Adsorber® <small>...setting standards in aeration drying!</small>	rev.	Date	Name
		17.09.2024	Daniel Zinic
GIEBEL FilTec Inc. www.giebel-adsorber.com info.us@gf-dry.com			

Article no.:	Status freigabe	Format A4
05.0030.18	Maßstab	Blatt / von
	1:2.5	1 / 1