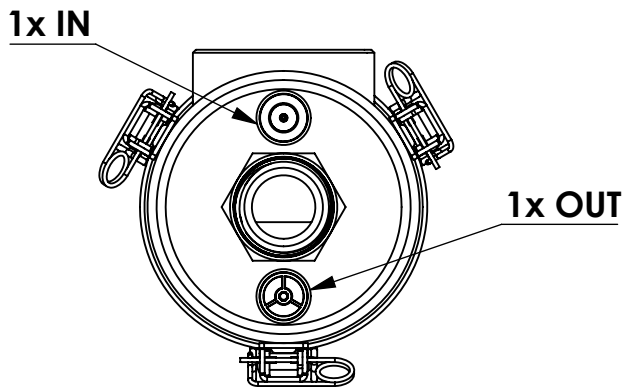
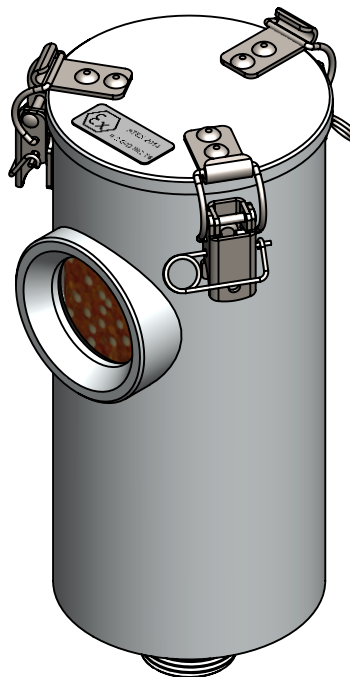
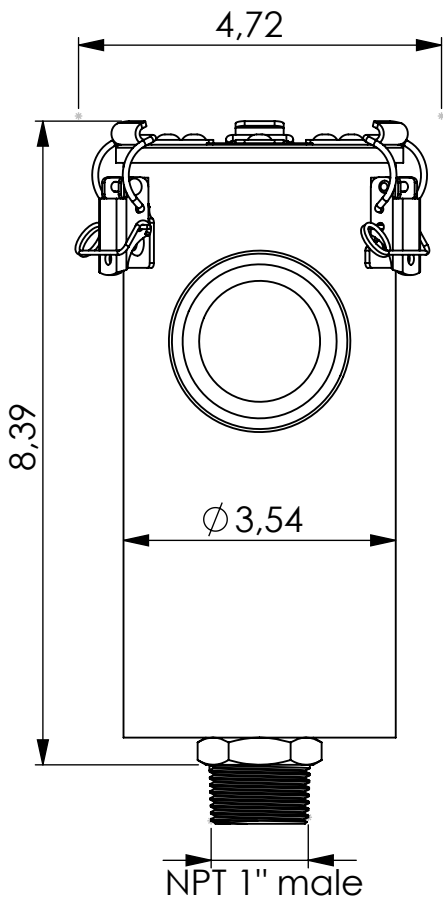


Adsorber MA-RV series



Product Code	MA	-	RV	-	2L	-	E	-	11	-	P3	-	XC	-	N1m
	Adsorber type		Refillable cartridge + valves		Size		EPDM seals		Check valves 1 IN 1 OUT		Paper filter 3 micron		Adsorbent GIEBEL Xdry® & carbon		Connection for System NPT 1" male

Housing materials:	Aluminum	
GIEBEL Xdry® (lb):	1.21	Color-change capacity (floz): 6.5
Total weight (lb):	3.77	

NAME:
Adsorber MA-RV 2L EPDM N1"m
MA-RV_2L_E_11_P3_XC_N1m



GIEBEL Adsorber®
 ...setting standards in aeration drying!

GIEBEL FilTec Inc.
www.giebel-adsorber.com
info.us@gf-dry.com

Article no.:
05.0030.14

Status freigabe	Format A4
Maßstab 1:2.5	Blatt / von 1 / 1