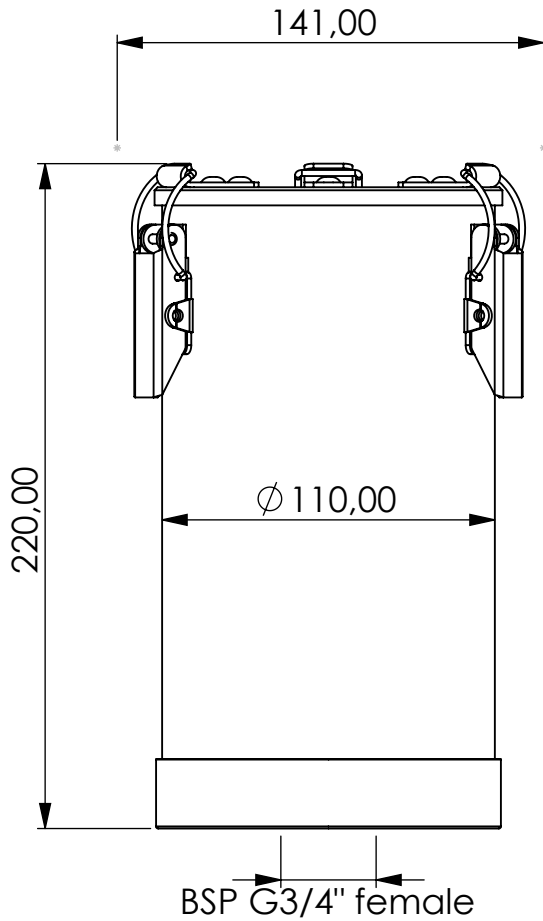


Adsorber VV-R series



Product Code	VV	-	R	-	3M	-	F	-	00	-	P3	-	XC	-	G34f
	Adsorber type		Refillable cartridge		Size		FKM seals		No valves 0 IN 0 OUT		Paper filter 3 micron		Adsorbent GIEBEL Xdry® & carbon		Connection for System BSP G3/4" female

Housing materials:	PA6, PC, AL	
GIEBEL Xdry® (kg):	0,7	Color-change capacity (ml): 245
Total weight (kg):	1.6	

NAME:		
Adsorber VV-R 3M G3/4"f		
VV-R_3M_F_00_P3_XC_G34f		
Article no.:	Status freigabe	Format A4
05.0030.12	Maßstab	Blatt / von
	1:2.5	1 / 1

 GIEBEL Adsorber® <small>...setting standards in aeration drying!</small>	Date	Name
	rev. 17.04.2023	Daniel Zinic
GIEBEL FilTec GmbH www.giebel-adsorber.de info@giebel-adsorber.de		