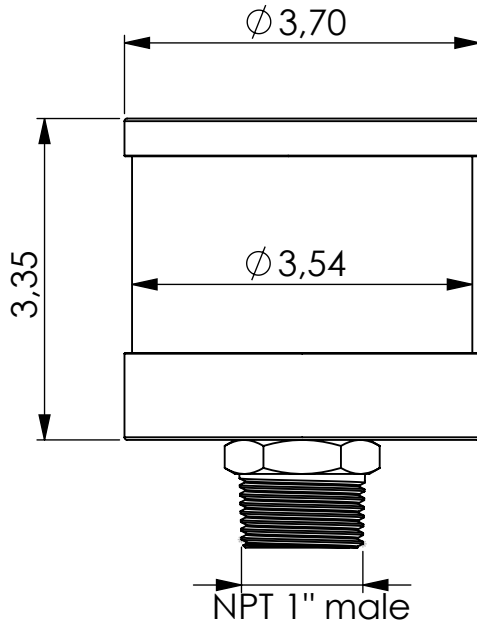


Adsorber VV-D series



Product Code	VV	-	D	-	2S	-	00	-	V2	-	X	-	N1m
	Adsorber type		Disposable cartridge		Size		No valves 0 IN 0 OUT		Fleece filter 2 micron		Adsorbent GIEBEL Xdry®		Connection for System NPT 1" male

Housing materials:	PA, PC, SS	
GIEBEL Xdry® (lb):	0.44	Color-change capacity (fl oz): 2.4
Total weight (lb):	1.06	

NAME:
Adsorber VV-D 2S N1"m
 VV-D_2S_00_V2_X_N1m

 GIEBEL Adsorber® <small>...setting standards in aeration drying!</small>	rev.	Date	Name
		21.08.2024	Daniel Zinic
GIEBEL FilTec Inc. www.giebel-adsorber.com info.us@gf-dry.com			

Article no.:	Status approved	Format
05.0020.14	Scale	Sheet / of
	1:2	1 / 1