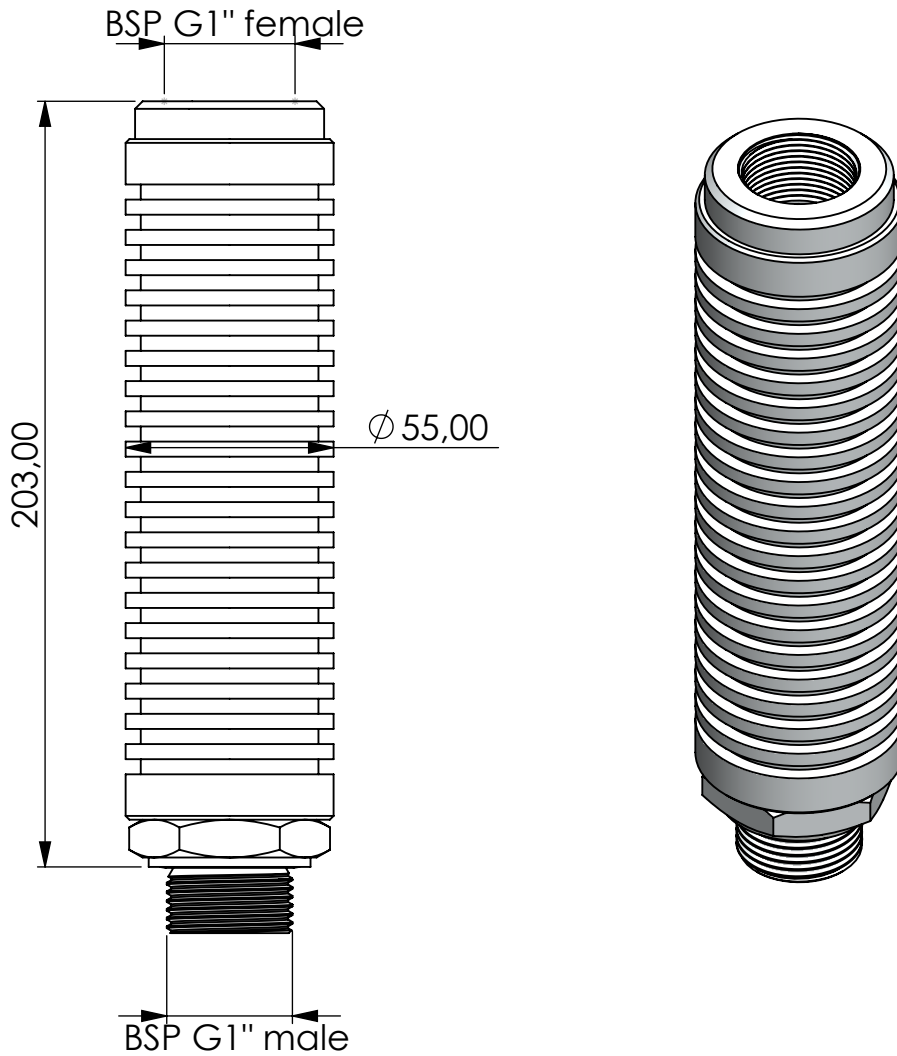


Oil demister



Product Code	OSD	-	180	-	AL	-	F	-	G1f	-	G1m
	Oil Demister		Size		Material Aluminium		FKM seals		Connection for Adsorber BSP G1" female		Connection for System BSP G1" male

Total weight (kg): 0.62

NAME:

Oil Demister

OSD_180_AL_F_G1f_G1m

Article no.:

03.2132.00

Status approved

Ratio 1:2

Format A4

Sheet / of 1 / 1

	Date	Name
rev.	11.04.2024	Daniel Zinic

GIEBEL FilTec GmbH
www.giebel-adsorber.com
info@gf-dry.com



GIEBEL Adsorber®
 ...setting standards in aeration drying!