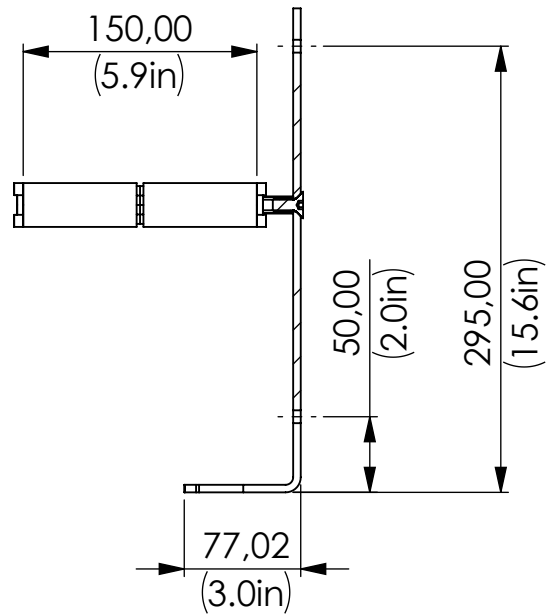
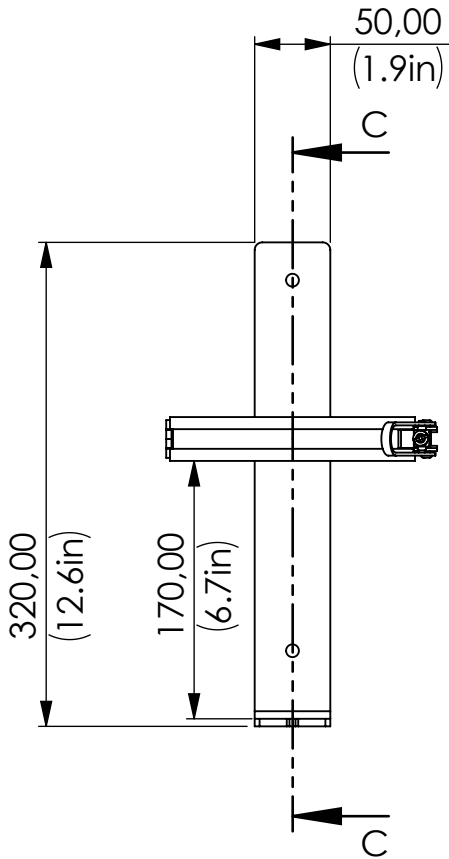


# Wall mount



Product Code	WH	.	SL	-	5	-	SS	-	VL
	Wall mount		With clamp		For adsorber series 5		Material stainless steel		Connection for Adsorber VL/VM/VE

Total weight (kg/lb): 1.43 / 3.15

NAME:

**Wall mount**

**WH-SL\_5\_SS\_VL**

Article no.:

**03.0000.81**

Status approved

Format A4

Ratio 1:5

Sheet / of 1 / 1

rev.	Date	Name
	12.09.2021	Daniel Zinic

GIEBEL FilTec GmbH  
[www.giebel-adsorber.de](http://www.giebel-adsorber.de)  
[info@giebel-adsorber.de](mailto:info@giebel-adsorber.de)



**GIEBEL Adsorber®**  
 ...setting standards in aeration drying!