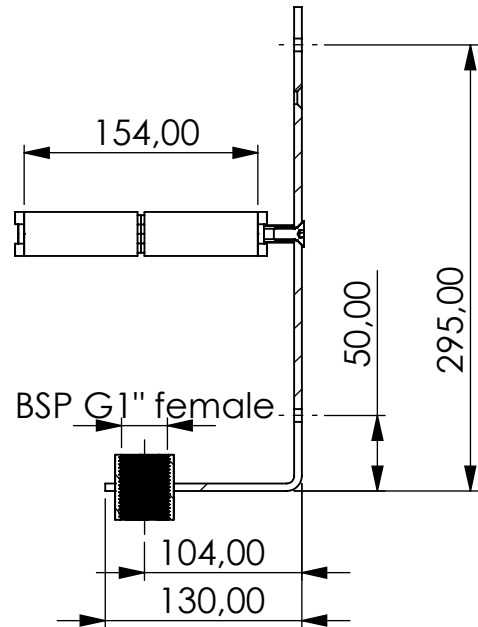
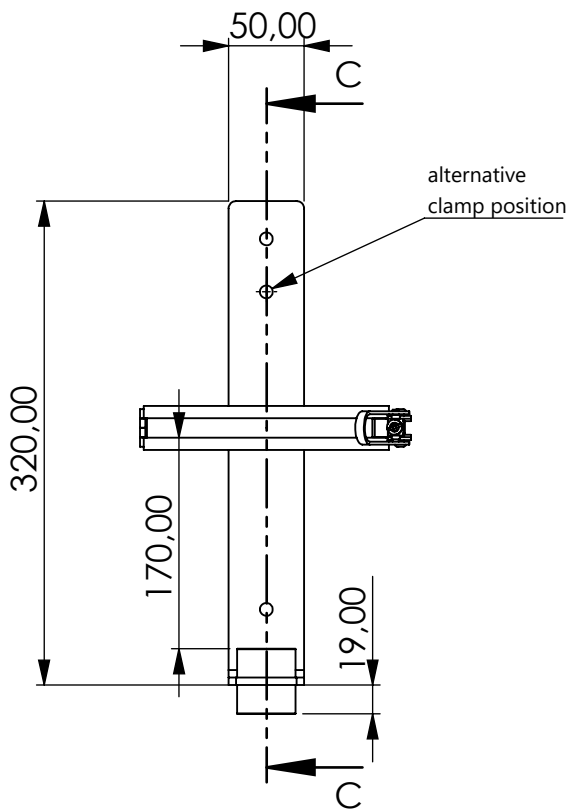


Wall mount



Product Code	WH	.	SL	-	5	-	SS	-	G1i
	Wall mount		With clamp		For adsorber series 5		Material stainless steel		Connection for Adsorber BSP G1" female

Total weight (kg): 1.64

NAME:

Wall mount

WH-SL_5_SS_G1i

Article no.:

03.0000.57

Status approved

Ratio 1:5

Format A4

Sheet / of 1 / 1



GIEBEL Adsorber®
...setting standards in aeration drying!

GIEBEL FilTec GmbH
www.giebel-adsorber.de
info@giebel-adsorber.de