

Adsorber VV-D

Section 1: Information on the manufacturer

Giebel FilTec GmbH
 Carl-Zeiss-Str. 5
 74626 Bretzfeld
 Germany
 Tel. +49 79 46 94 44 01 0
 E-Mail info@gf-dry.com



Section 2: Product overview



Sizes	
Size 1	VV-D 1M / VV-D 1L
Size 2	VV-D 2M / VV-D 2L
Size 3	VV-D 3M / VV-D 3L
Size 5	VV-D 5M / VV-D 5L / VV-D 5XL

Materials used

Acrylic glass, polyamide (PA), polyvinyl chloride (PVC), FKM, GIEBEL Xdry®, activated carbon


REACH Note

No ingredients requiring disclosure under Regulation (EC) No 1907/2006.

Section 3: Construction and materials

Use	One-way
Housing material	Acrylic glass, PA
Adsorbents	GIEBEL Xdry®, activated carbon
Particulate filter	Filter element with 3 µm separation efficiency
Seal material	FKM
Operating temperature	-40°C - +80°C
Connection	BSP / NPT / Metric / Slipfit

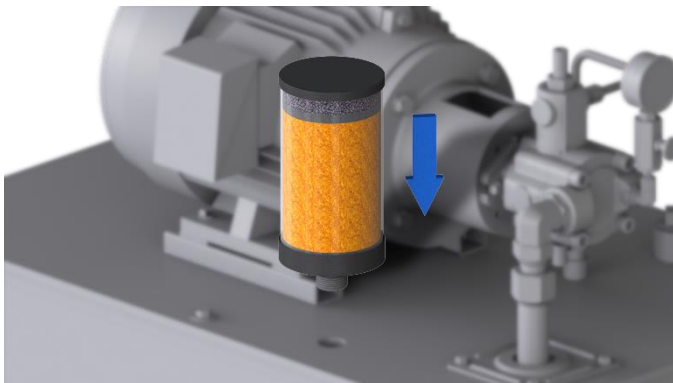
Section 4: Technical data



	VV-D 1M	VV-D 1L	VV-D 2M	VV-D 2L	VV-D 3M	VV-D 3L	VV-D 5M	VV-D 5L	VV-D 5XL
Total weight [kg]	0,2	0,3	0,7	1,0	1,4	2,1	3,1	4,5	6,0
Adsorbent [kg]	0,1	0,15	0,3	0,5	0,8	1,4	2,2	3,3	4,6
Color-change capacity [ml]	28	53	120	200	320	560	880	1320	1840
Height [mm]	97	141	152	210	226	326	264	364	464
Housing diameter [mm]	60	60	90	90	110	110	150	150	150
Screw-in diameter [mm]	63	63	94	94	114	114	154	154	154
Connection	BSP, NPT, Metric	BSP, NPT, Metric	BSP, NPT, Metric, Slipfit	BSP, NPT, Metric, Slipfit	BSP, NPT, Metric, Slipfit	BSP, NPT, Metric, Slipfit	BSP, NPT, Metric, Slipfit	BSP, NPT, Metric, Slipfit	BSP, NPT, Metric, Slipfit
Valves [IN-OUT]	0 - 0	0 - 0	0 - 0	0 - 0	0 - 0	0 - 0	0 - 0	0 - 0	0 - 0

Section 5: Assembly and commissioning

1. Remove the protective plug on the bottom of the adsorber.
2. Screw the adsorber onto the system.
The torque should be 5Nm and not exceed 10Nm. "hand-tight"



Section 6: Maintenance

Adsorbers of the VV-D series are not serviced, but completely replaced.



0% → 100%

If the color of the GIEBEL Xdry® has completely changed according to the color indicator used, the adsorber must be replaced.

1. Unscrew the adsorber from the system and dispose of it.
2. Screw a new adsorber onto the system.

Section 7: Spare parts and storage

If the disposable adsorber is completely saturated, it must be replaced by a new adsorber.



Adsorber

- GIEBEL Xdry®
- Activated carbon
- Filter element
- Seal

Pre-assembled in the housing and packed airtight.

Order of spare parts

For a constant operational readiness of the adsorber and thus of the plant, make sure that a replacement adsorber is always in stock.

The time until the complete color change and thus the service life of the adsorber depends on various factors:

- Number and duration of flow and loading intervals.
- Air flow volume and flow velocity, relative humidity of ambient air.
- Temperature of the ambient air and the medium to be ventilated.

Storage of adsorbers

This product can be stored for up to **two years** in dark and dry environments. The temperatures for storage should be between -10° and 30°C.

Section 8: Disposal

At the end of its useful life, the device must be disposed of in accordance with the relevant legal regulations.

The fully loaded adsorber can be disposed of in household waste.

GIEBEL Xdry® is not classified as a hazardous substance under European Union legislation (Regulation EC No 1272/2008). It is not subject to compulsory labelling according to EC Directive (67/548/EEC or 1999/45/EC). GIEBEL Xdry® is not classified as a substance hazardous to health or the environment.

Section 9: Risk and hazard analysis

1. Moist air flows into the system

Porous seals

Moist air can flow into the adsorber or into the plant at the porous points. As a result, complete drying is not possible and moist air enters the system.

Saturated drying agent

When the desiccant is saturated, it can no longer absorb moisture. This allows moist air to enter the system.

Air flow rate too high

If the air flow rate is too high, the contact time between moist air and desiccant is too short. This allows moist air to flow into the system.

Oil on the drying agent

If too many oil particles enter the adsorber, the oil particles close the pores of the desiccant and thus prevent adsorption.

Ambient temperature too high

If the ambient temperature exceeds 80°C, the binding forces in the desiccant decrease. As a result, the incoming ambient air is only dried to a limited extent.

2. Positive or negative pressure builds up in the system

Air flow rate too high

Too high an air flow rate can cause over- or underpressure in the system.

Contaminated filter element

The filter unit can be clogged by dirt particles and can therefore build up pressure in the system.

Oil on the drying agent

If oil particles get into the adsorber, the spaces in the fill can be filled with oil and the fill will stick together. This can cause pressure to build up in the system.

3. Adsorber is damaged

Material resistance

When selecting the adsorber, the ambient and operating conditions should be considered. An aggressive environment or liquid in the container can damage the adsorber.

Temperature range

The ambient and operating temperatures should not exceed or fall below the specified range, otherwise the adsorber may be damaged.

Improper handling

Incorrect or improper handling can damage the adsorber. Please pay attention to the recommended installation.

Strong vibrations

Strong vibrations of the plant can damage the adsorber.

Pressure range of the system

The adsorber should not be exposed to a positive or negative pressure above 0.5 bar, otherwise the housing may be damaged.

Cleaning of the adsorber

For external cleaning of the adsorber, the use of a mild soap in combination with water is recommended. The use of brake cleaner will damage the adsorber and is no reason for complaint.

Section 10: Maintenance plan

1. Check seals for wear

Check The O-ring installed on the adsorber must be checked for perfect condition. For this purpose, the seal at the connection should be checked for brittleness.

Cycle Half-yearly

Measures In case of existing damage, a new O-ring or a new adsorber should be used.

2. Visual inspection of the desiccant

Check The loading condition of the desiccant must be determined by visual inspection of the adsorber. The color orange indicates that the silica gel can still adsorb water and air is dehumidified. If the desiccant is completely saturated, the color changes to green or colorless.

If there are oil particles on the desiccant, these close the pores and the adsorption capacity is reduced. This causes the desiccant to discolor more slowly and unevenly

Cycle Half-yearly

Measures If the desiccant is loaded or damaged by oil, a new adsorber with fresh desiccant should be used.

3. Visual inspection of the adsorber

Check The adsorber, including the connection, must be visually checked for damage. Damage can occur due to various environmental or operating conditions.

Cycle Yearly

Measures If the adsorber is damaged, it must be completely replaced to ensure full functionality.